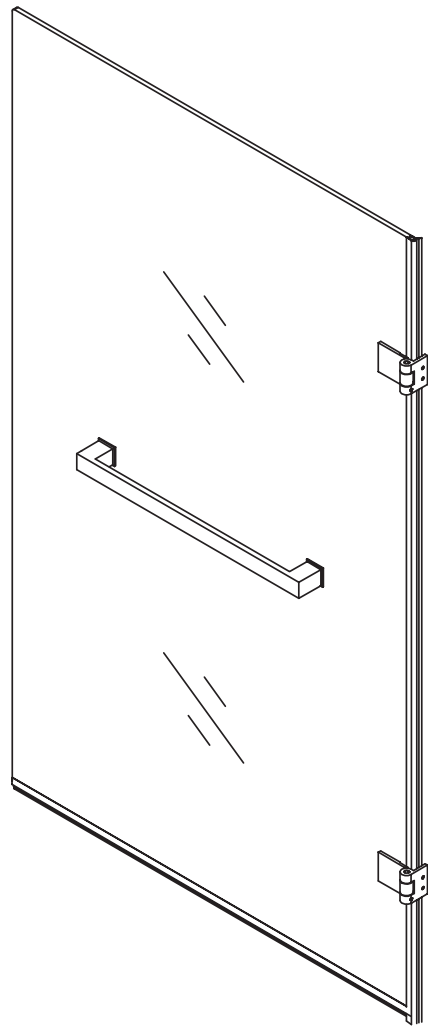


INSTALLATION MANUAL

TUB PANEL

PIVOT FRAMELESS



MODELS:

TDP1-28

TDP1-34

MODEL# TDP1



READ ALL INSTRUCTIONS BEFORE UNPACKING THE PRODUCT



INSTRUCTIONS THAT, IF IGNORED, COULD RESULT IN DEATH OR SERIOUS INJURY CAUSED BY INCORRECT HANDLING OR INSTALLATION OF THE PRODUCT. THESE INSTRUCTIONS MUST BE OBSERVED FOR SAFE INSTALLATION.

ATTENTION!



2 PEOPLE ARE REQUIRED TO LIFT AND DURING ENTIRE INSTALLATION OF THIS PRODUCT



INSTALLATION OF THIS PRODUCT BY AN INEXPERIENCED INSTALLER MAY RESULT IN PERSONAL INJURY OR DEATH!



- We reserves the right to change, update, modify, alter, redesign this manual/product or its policies without prior notice!
- It is your responsibility to visit the website to download or contact customer service for the most updated version of the installation instructions.
- We shall not be liable for any injuries or property damages in connection with this product during installation or use of this product!

NOTES:

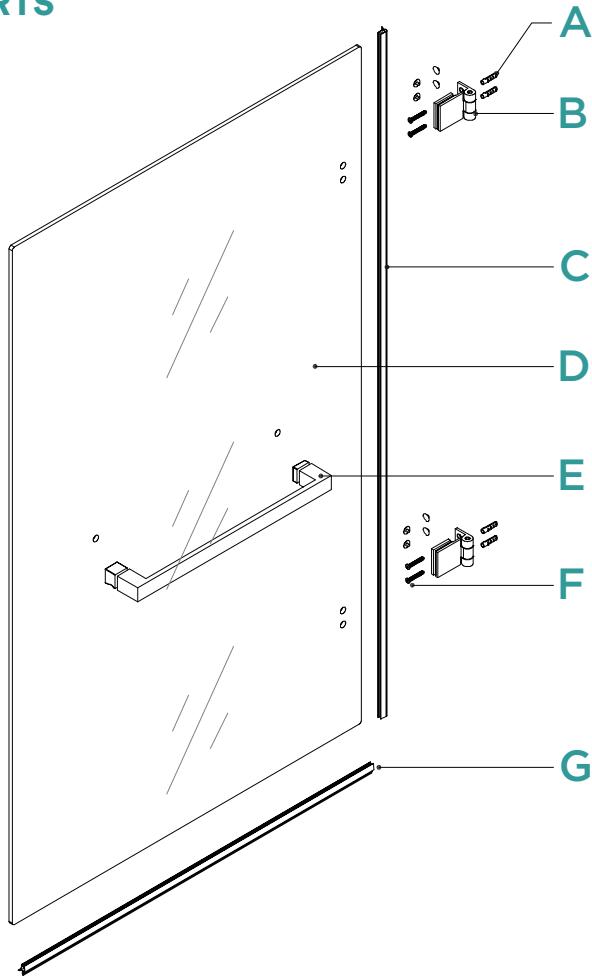
- Limited warranty is void on any commercial installation.
- We are not responsible for local code compliance for this product.
- Building and plumbing codes may vary from state-to-state in accordance to your location.
- We are not responsible for providing any compliance certifications.
- We are not responsible to provide any type of certifications for this product.
- Under no circumstances we shall not be liable for any and all incidental damages sustained in connection with this product Neither manufacture, nor distributor, nor retailer is responsible for water damage or flood caused due to use of this product.
- Under no circumstances We shall not be liable for any and all fees, cost defect. of installation/re-installation/removal, subsequent damage or transportation in case of the product defect.

ATTENTION:

- Always rest glass on a leveled surface.
- The glass panels are tempered and cannot be cut.
- Fiberglass, acrylic or sheetrock construction might not be sufficiently strong enough to support the shower door enclosure. You should use the wood framing from behind the face edge of the stall to provide a secure mounting to the door. Apply a bead of silicone between the walls and base of the stall.
- For optimum performance, you should install the shower door perfectly level on a level surface.
- By not leveling the unit during construction the unit may leak causing possible water damage.



PARTS

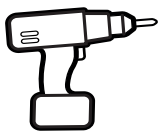


COMPONENTS AND HARDWARE

During unpacking the product and prior to installation inspect your new product for any damages or missing parts. Do not attempt to install or operate the product if the product is damaged.

Part A		4 Pieces	Plastic Anchor
Part B		2 Pieces	Door Hinge
Part C		1 Piece	Seal Strip
Part D		1 Piece	Glass Door
Part E		1 Piece	Door Handle
Part F		4 Pieces	ST5 x 40 Screw
Part G		1 Piece	Seal Strip

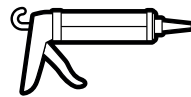
REQUIRED TOOLS



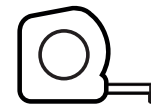
DRILL



LEVEL



SILICON GUN



MEASURE TAPE



FLAT SCREWDRIVER



Ø6 DRILL BIT



PENCIL



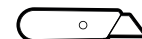
PHILLIPS SCREWDRIVER



Ø8 DRILL BIT



ALLEN KEY



UTILITY KNIFE

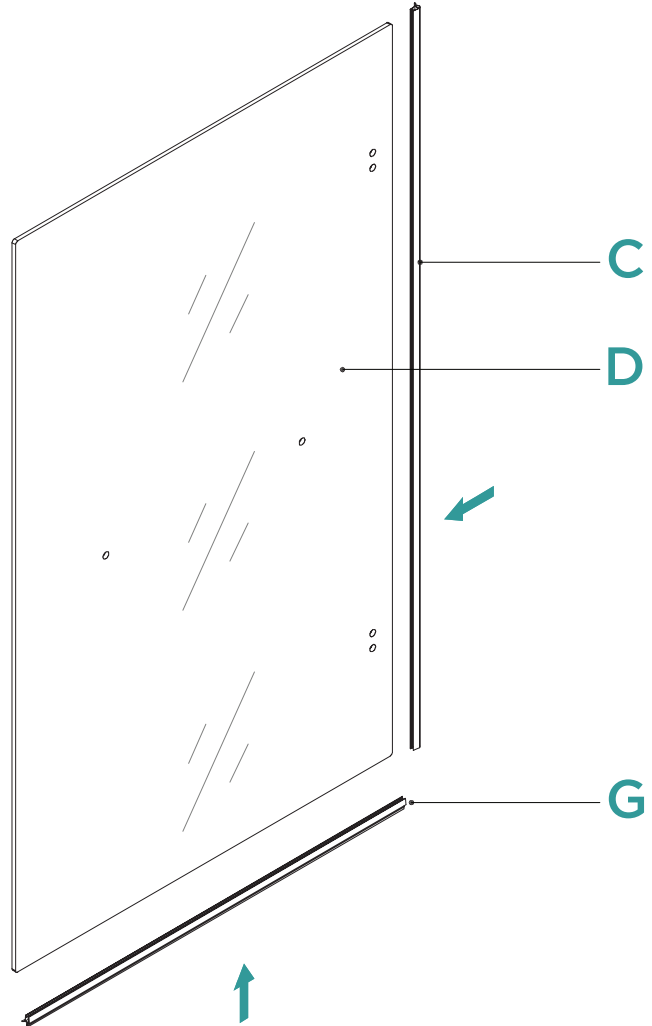


1

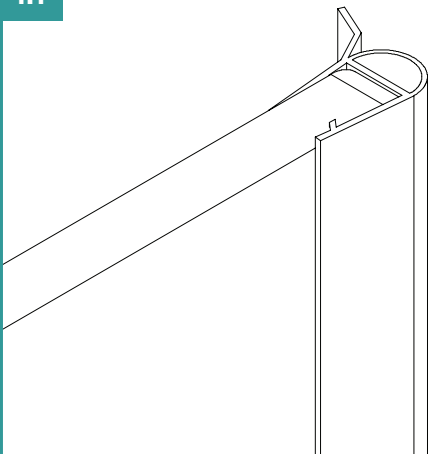
ATTACHING DOOR SEAL STRIPS

1.1
Attach a plastic seal strip (C) to the vertical side of the door (D) first.

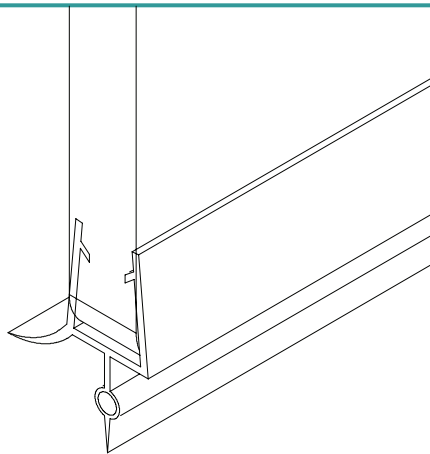
1.2
Attach the seal strip (G) to the horizontal lower side of the door (D).



1.1



1.2

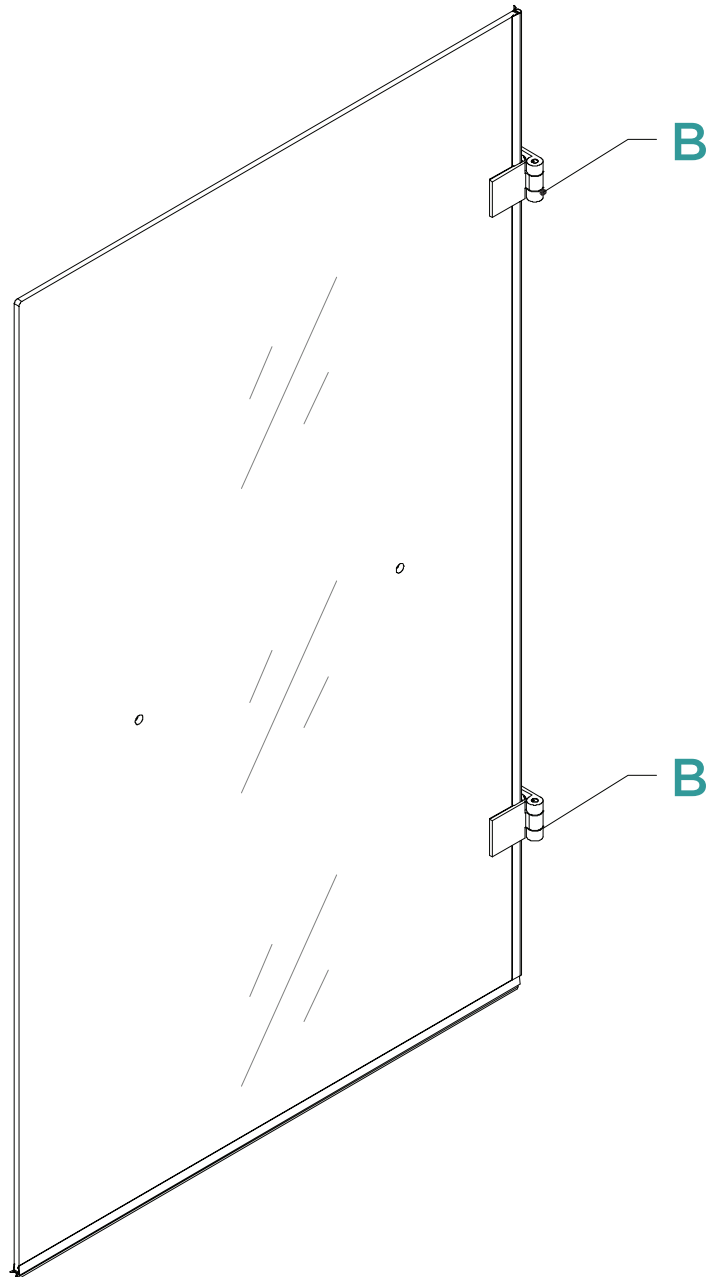




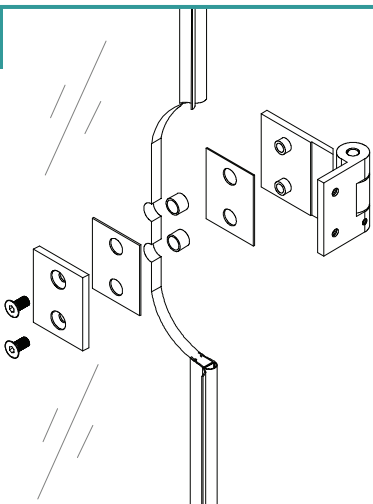
2

ATTACHING THE DOOR HINGES

Attach the door hinges (B) to the door (D) using screws included with the hinges.



2.1





3

ATTACHING THE DOOR TO THE WALL

Use a pencil to mark the two places on the wall where the screws will be inserted.

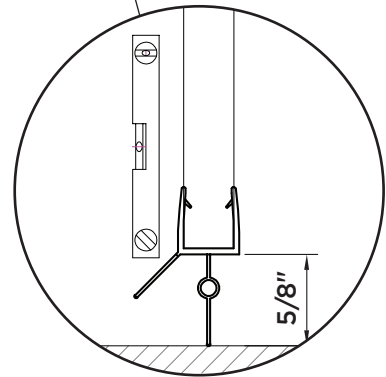
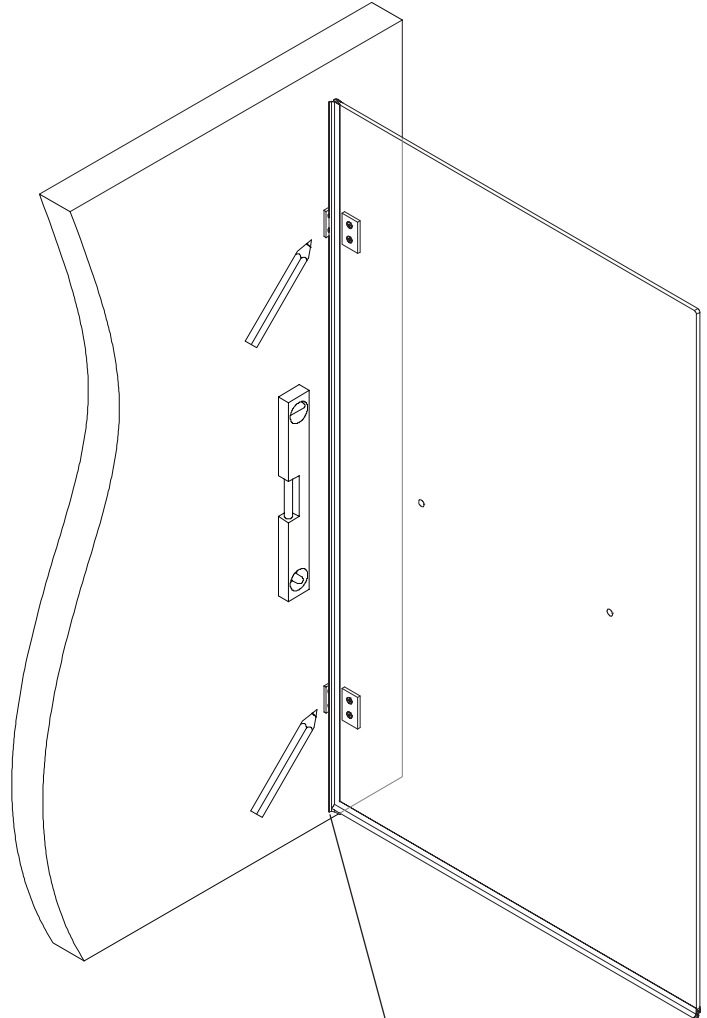
Leave a 5/8" gap from the bottom, to insert the seal strip.

3.1

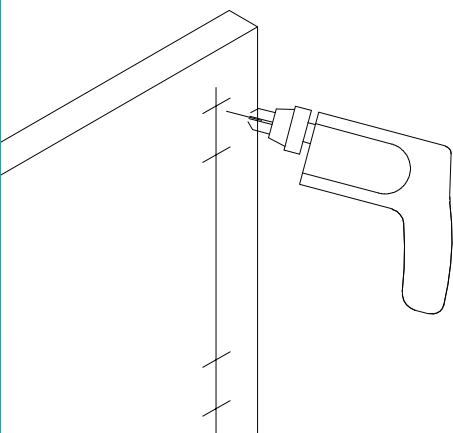
Use a size 8 drill bit to drill holes at the marked points.

3.2

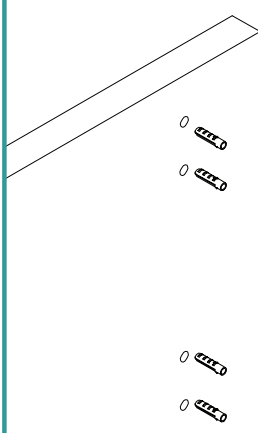
Insert the wall anchors (A) into the holes using a mallet or hammer.



3.1



3.2





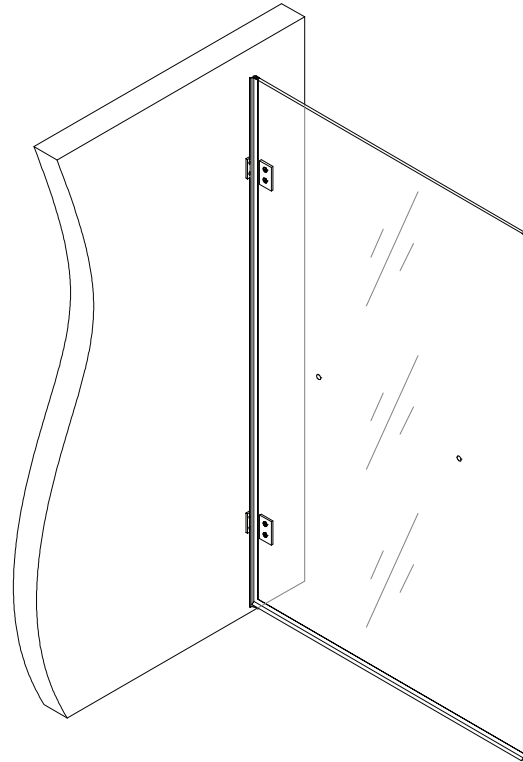
4

ATTACHING THE DOOR TO THE WALL

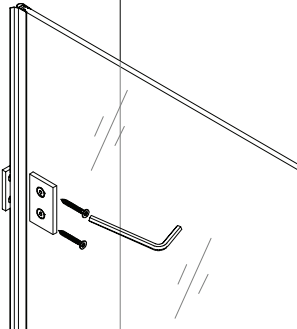
Place the door (D) against the wall, lining up the joints (B) with the drilled holes.

4.1
Attach the door joints (B) to the wall, using screws (F).

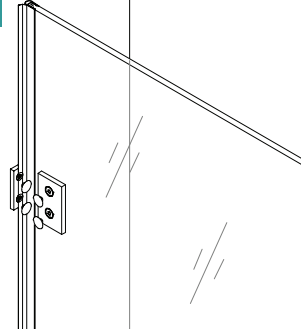
4.2
Tighten with the Allen key.



4.1



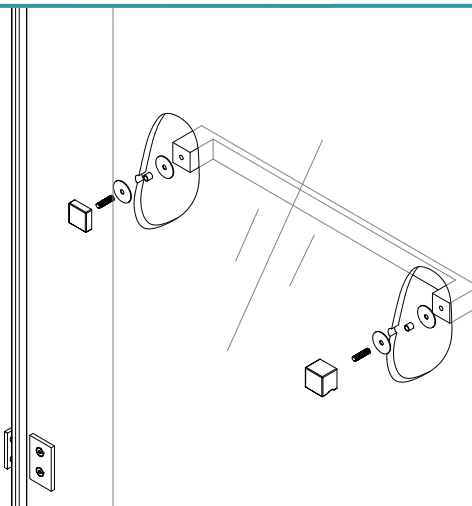
4.2



5

ATTACHING THE DOOR HANDLE

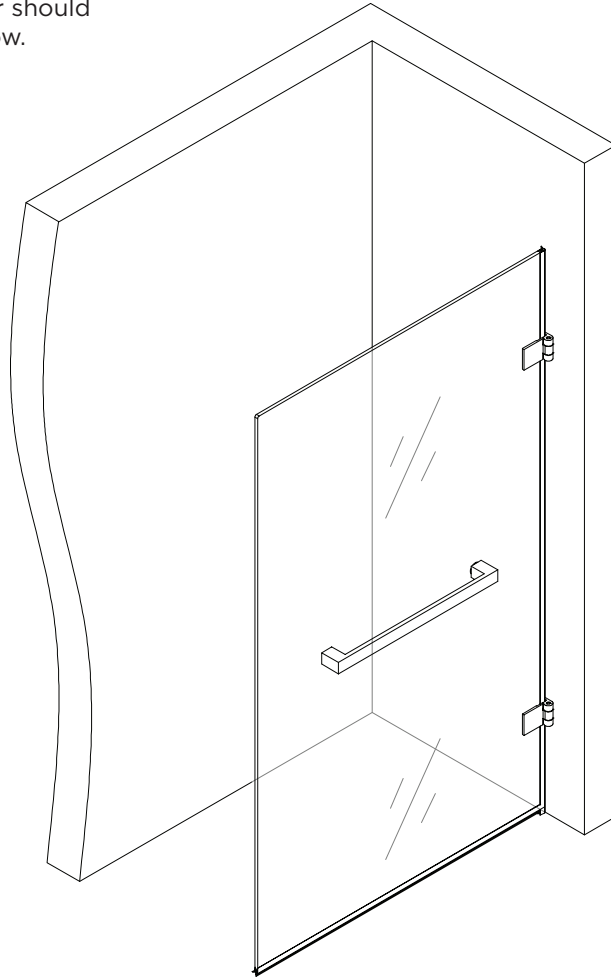
Attach the handle (E) to the center of the door using screws included with the handle.





INSTALLATION COMPLETED

When complete, the door should appear as the image below.



**AFTER
INSTALLATION**



**WAIT 24 HRS
BEFORE USE**



206 WEMBLY ROAD - NEW WINDSOR, NY 12553
P: 718.602.6060 F: 718.963.2082 - E: INFO@FINEFIXTURES.COM
TOLL FREE: 1.877.8FIXTURES

FINEFIXTURES.COM

